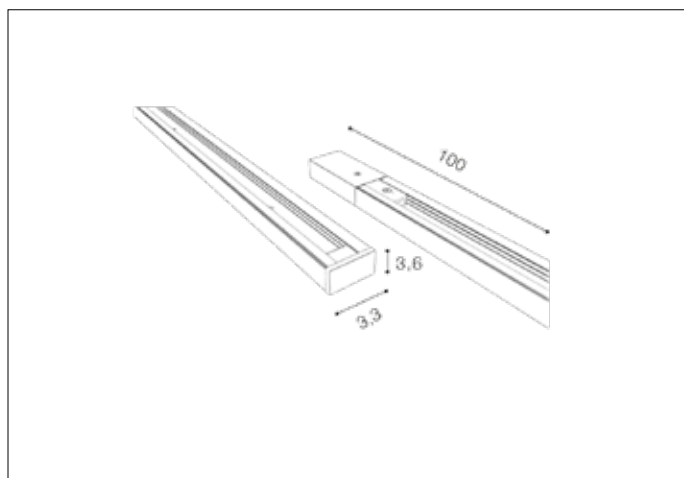




TRACK 3LINE SET 1M + END POWER + END CAP WHITE
AZ2991, EAN 5901238429913



Dimensions height / width / length [cm] **Product Specifications**

Product	3,6 x 3,3 x 100
Mounting inlet:	N/A x N/A x N/A
Ceiling base:	N/A x N/A x N/A
Shades	N/A x N/A x N/A

Line	TECHNICAL
Type	Track
Type of track	3 Line
Colour	White
Material	Metal / PC
Light source	N/A
Type of socket	N/A
Lumens	N/A
Kelvins	N/A
Beam angle	N/A
Dimmable	N/A
CCT	N/A
RGB	N/A
RA	N/A
App remote control	N/A
Remote control	N/A
Voltage	N/AV
Power	N/A
Switch location	N/A
Protection class	N/A
Tilt	N/A
Rotation	N/A

Shipping info height / width / length [cm]

BOX 1:	3,6 x 100 x 3,3
BOX 2:	N/A x N/A x N/A
BOX 3:	N/A x N/A x N/A
Net weight [kg]	0,83
Gross weight [kg]	0,83

Energy efficiency



Azzardo Sp. z o.o.
ul. Strzeszyńska 33 60-479 Poznań,
NIP: 929-185-75-07

www.azzardolighting.com